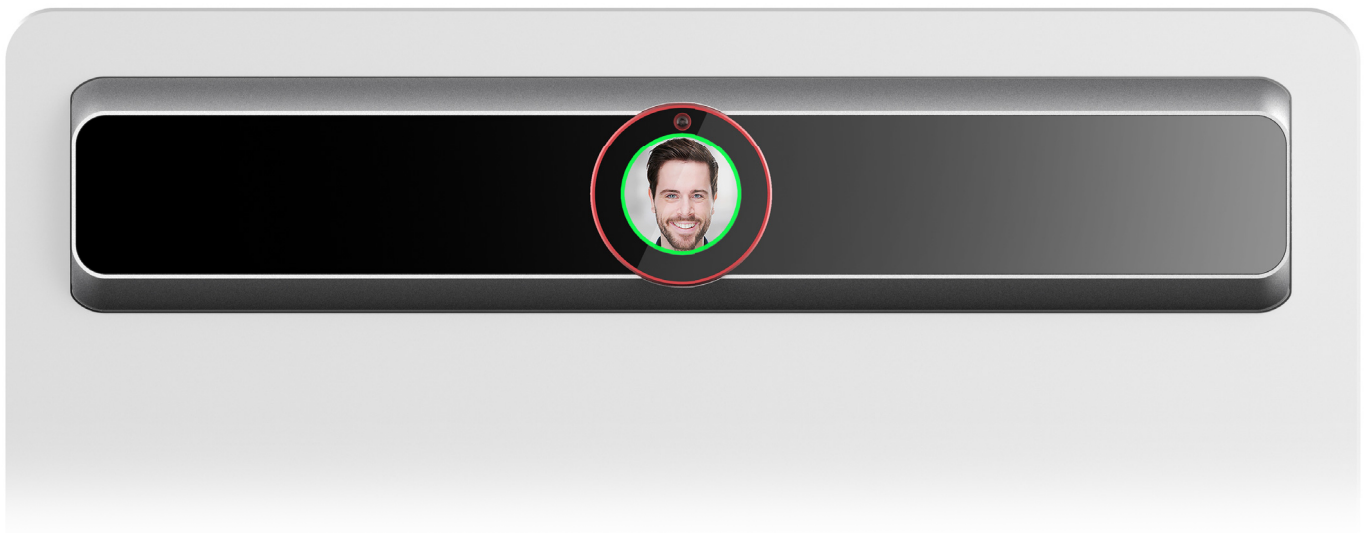


IrisBar

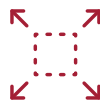
Advanced Multi-Biometric OEM Module



Counter
measures



Advanced
Security



Large
Capture Volume



Brand Customization
Available



Intuitive LCD
User Interface

The all new IrisBar from Iris ID is the latest product release designed to help travelers skip the hassle when they need to identify and authenticate. It was created in response to industry insiders communicating a need for a product that would deliver an efficient and effective user experience. Ready for enrollment programs and security check in's including at the airport or for immigration, the IrisBar is a complete and seamless OEM module that streamlines the verification process.

With an impressive capture volume, the multimodal iris & face collection IrisBar is adept at providing crisp and accurate images at various angles - even capturing someone in a wheelchair. Upon kiosk approach, users will meet an intuitive and user-friendly 2" circular LCD interactive screen. This screen placement instinctively attracts a user's eyes to begin the identification process. With activation, cameras on the LCD zoom in and out and subtitles are featured on the bottom of kiosk screens as an additional instructional guide.

The IrisBar is a smart, image capture standards compliant biometric system designed to work with legacy kiosk or gate implementation within aviation or transportation sectors.

Features



High Quality Video Streaming



Rest API Easy Integration



Auto Zoom, focus and image cropping



Flexible Mounting Options



Tested by Government Agencies



Accurate Capture up to One Meter



OS Platform Independent



OEM Package for Kiosk or Gate Installation



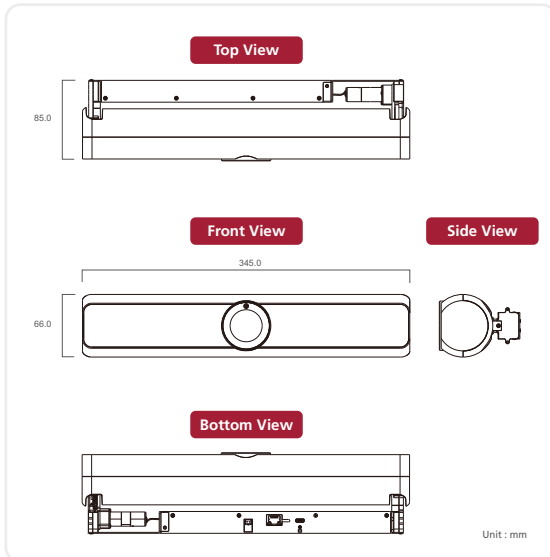
Works with masks and glasses

Specifications

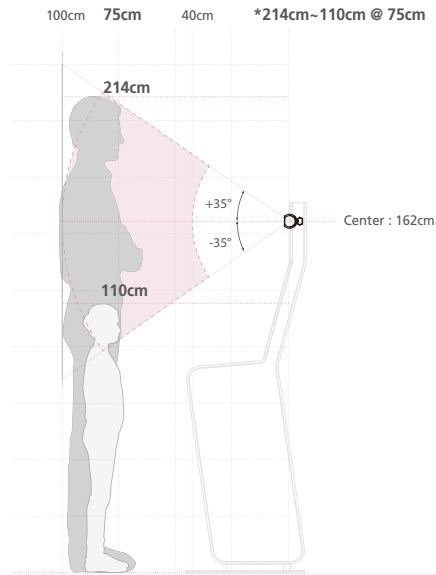
Basic	CPU	Cortex-A53
	Storage	2GB DDR3, 8GB eMMC
	OS	Linux Kernel Version 4.4
Display	Size	1.3 inch, Circle Type TFT LCD
	Resolution	320(H) x 320(V)
	Interface	MIPI DSI
Connectivity	Network	Ethernet 10/100 Mbps
	USB/mera	USB2.0 OTG
Camera	Iris Camera	2.3MP, Global Shutter
	Face Camera	13MP, MIPI CSI-2 with ISP
Illumination	IR LED	High Power LED 6EA x 2
Secure	Secure Chip	TPM 2.0

Mechanics	Pan / Tilt Motor	Precision high speed step motor
	Iris Camera Lens	x12 Zoom & Auto Focus
Power	Power Supply	12~24 VDC, Max 36W
Capture Range	Height (Tilt)	± 52 cm at 75 cm (±35°)
	Width (Pan)	± 22.5 cm at 75 cm (±10°)
	Distance	40 cm ~ 100 cm
Size	W x H x D	345 mm x 66 mm x 85 mm (13.6" x 2.6" x 3.3")
	Weight	TBD
Streaming	Face Image	H.264 Format, 30FPS @ 720P or VGA
Operating Environment	Operating Temperature	32°F~113°F (0°C~45°C)
	Storage Temperature	-4°F~203°F (-20°C~95°C)
	Humidity	5~95% non-condensing

Mechanical Drawing



Capture Volume



Application



Kiosk



e-Gate



ATM / VTM



Border control



National ID



Iris ID Systems, Inc.

8 Clarke Drive, Cranbury, NJ 08512, USA
Tel. +1-609-819-4747 Fax. +1-609-819-4736
www.irisid.com | sales@irisid.com

© 2022 Iris ID Systems, Inc. All rights reserved. Design and specification subject to change without notice.



IRIS ID AUTHORIZED RESELLER