

OU7S-AKT

OEM Iris Recognition Camera Module



DUAL IRIS	FACE CAMERA	FLASH LED
	USB / ETHERNET	TILT ASSIST

- High Speed Iris Capture & Matching in a compact package
- National ID Quality Iris Image - Standards Compliant
- Intuitive User Interface with Virtual LED Indication
- 5 MP face camera White LED flash
- Comfortable Capture Distance 28~38 cm (11~15 Inches)
- Flexible Mounting Options
- Power Adapter Powered
- Tilt Assit

Iris ID (formerly LG Iris) has been producing commercial iris recognition systems since 1997. In thousands of locations, IrisAccess® authenticates the iris identity of more persons than all other iris platforms combined. Iris ID's rich experience in iris recognition is exemplified in the OU7S-AK.

Previous handheld iris recognition systems required significant cooperation and for a subject to remain completely motionless in order to capture high quality iris images. Iris ID has developed a series of algorithms which provide the capability to capture iris images in any environment.

High Speed - Dual Iris capture

The OU7S-AK performs high-speed dual iris capture and outputs high quality ISO standards compliant images. Both eyes can be simultaneously captured. The OU7S-AK provides an unparalleled intuitive user interface, which makes the process easier for the user and operator. The OU7S-AK is also equipped with an orientation sensor and left and right iris capture management controls which can be selected prior to or during the process.

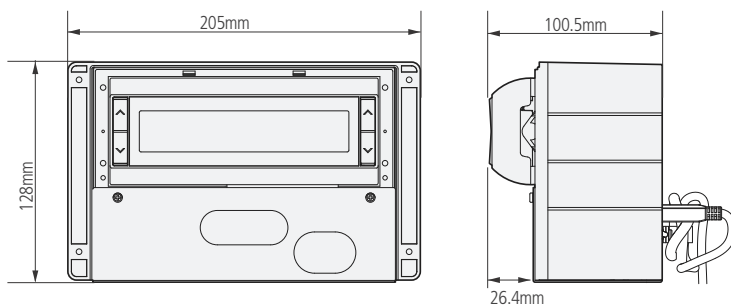
OEM Applications

- Kiosks
- Smart Kiosks
- ATM
- VTM

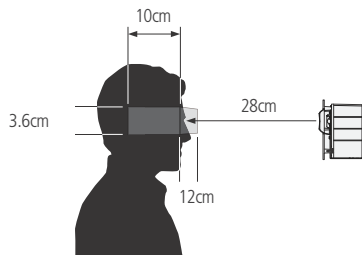
OU7S-AK Unit Model Matrix

Model Number	Description	Color	
OU7S-AKB	USB, Ethernet	Black	●
OU7S-AKT	USB, Ethernet	Titanium	●

Mechanical Drawing



Capture Volume



iDATA OU7S-AK SDK

Iris ID provides an API SDK to enable all functions of the OU7S-AK. The development environment and functionality of the SDK for the OU7S-AK module closely mimics those of the widely deployed iData SDK for the IrisAccess iCAM series cameras. Application developers familiar with the other Iris ID development tools will find integration to be very simple.

SDK Versions

Three versions of the SDK are available:

- Image Capture only
- Image Capture & Quality Metrics
- Image Capture, Quality Metrics and Matching

Sample Application Source Code

The sample application source code is delivered as a part of the SDK. Sample SDK code is provided in C++ and C#.

Demonstration Application

A runtime only application is available for customer evaluation which provides the functionality to perform iris image capture and iris template matching.

OU7S-AK (OEM Iris Camera Module)

Dimensions (W x H x D)	205mm x 128mm x 100.5mm (8.07" x 5.04" x 3.96")
Weight	800g (1.76lbs)
Power Input / Consumption	2~24 VDC, 2.0 Amps @ 12 VDC / 24W
Iris Operating Range Indicator	Dual Color - Orange (out of range), Green (in range)
Voice Indication	English standard, others available by download
Iris Capture Range	28cm~38cm (11"~15")
Flash	High output flash for face capture
Face Image Camera	Face camera CMOS - 5MP
Transaction Log Capacity	Up to 1,000,000 transactions stored on device, unlimited on server
Operating Temperature	0°C~45°C (32°F~113°F)
Storage Temperature	-20°C~95°C (-4°F~203°F)
Humidity	Up to 90% non-condensing
Iris & Face Camera Rotation Angle	+35°/-25°
Communications	USB, Ethernet
Equipment Supplied with OU7S-AK	Instruction Manual - Quick Start Guide iData SDK
Certifications	CE, FCC, KC, Eye Safety, ISO Standard, KISA

Items Required for Use of This Product

Required Equipment (not provided by Iris ID)

- Windows based PC (Windows 7 (32/64-bit) / Windows 10 (32/64-bit))

Minimum Computer requirements

- Microsoft Windows 7 (32-bit), or Windows 7 (64-bit) OS
- 512MB RAM (or higher)
- x86 Processor, 2.0 GHz (or higher)
- 2GB available HDD space or above
- Microsoft .NET Framework ver. 3.5
- Mouse, SVGA Monitor, Keyboard
- Dedicated USB 2.0 port (or higher)
- 10/100 Base-T Ethernet Port

NOTE An available and dedicated USB 2.0 compliant port is needed to properly use the OU7S-AK

IRIS ID AUTHORIZED RESELLER



Iris ID, Inc.
 Daerung Post Tower 1st, Suite 512,
 288, Digital-ro, Guro-gu, Seoul, 152-790, Korea
 Tel. +82-2-3289-5300 Fax. +82-2-3289-5302
www.irisid.co.kr

